



## Marine Bollards

 **ZHIYOU MARINE**  
Marine & Offshore Equipment Supplier

Shanghai Zhiyou Marine & Offshore Equipment Co., Ltd

Web: [www.marineoutfittings.com](http://www.marineoutfittings.com)

Email: [info@marineoutfittings.com](mailto:info@marineoutfittings.com)

Tel: +86 21 5645 2367

## Brief

Marine bollards are installed in the front of marine port for fastening the ropes during ship berthing and towing. The anchor bolts are buried deeply in the concrete of ports that makes the marine bollards securely. Mostly, the material of marine bollards is cast iron, Zhiyou Marine also provide cast steel which are manufactured using molds. The type of marine bollard is T-head bollard, but we can also supply more types, such as curved bollard, J type bollard etc.

## Specification

SWL range up to 200 tons.

Customized design/production is available.

Regular painting for anti-corrosion.

Customized remark and colour as your requirements.

Marine bollard includes accessories supply and ready to fit.

Material cast iron or cast steel for selection.

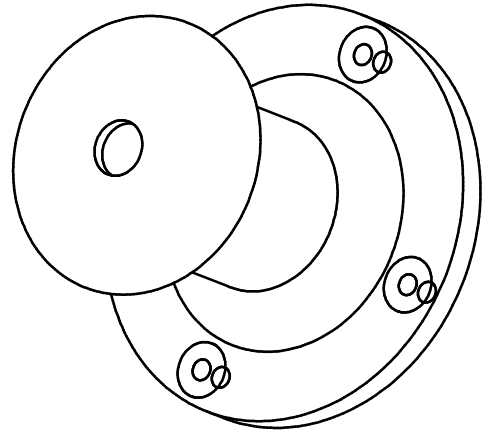
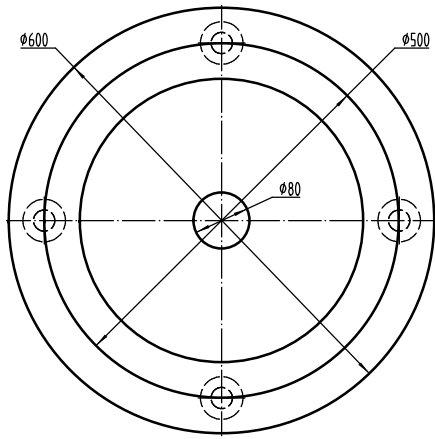
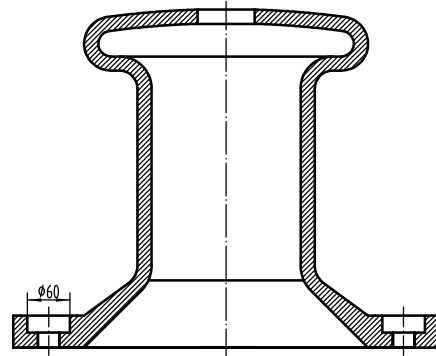
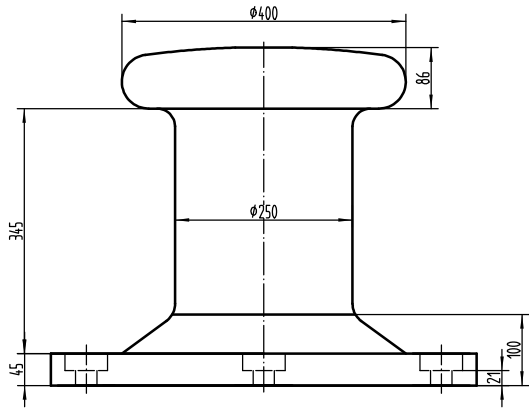
Other requirements.

## Dimensions

The dimensions of marine bollards are as shown below the enclosed drawings, customized solution or any other requirements please [contact us](#).

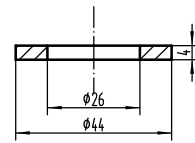
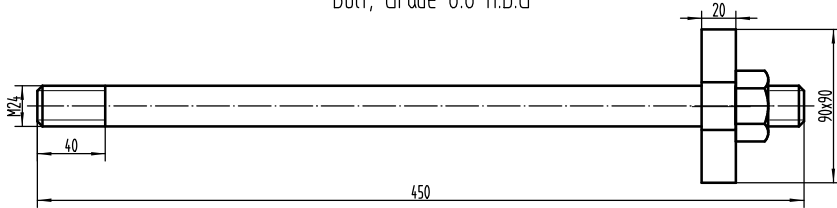
## Gallery





Bolt, Grade 8.8 H.D.G

Washer, Q235 H.D.G



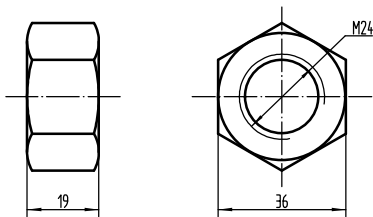
Nut, Grade 8.0 H.D.G

NOTE:

1,Material: SG iron,ASTM 65-45-12.

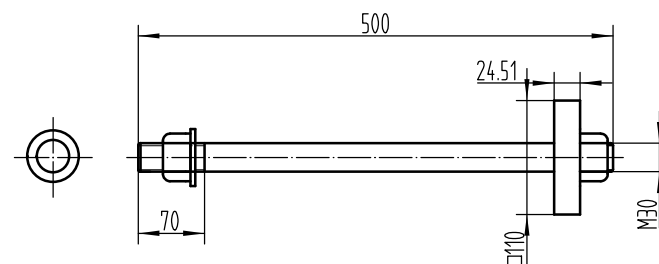
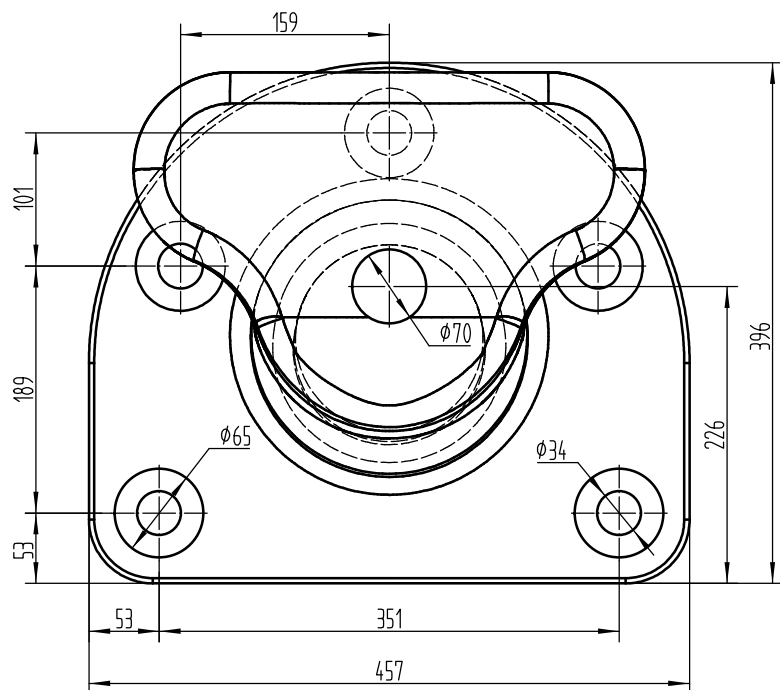
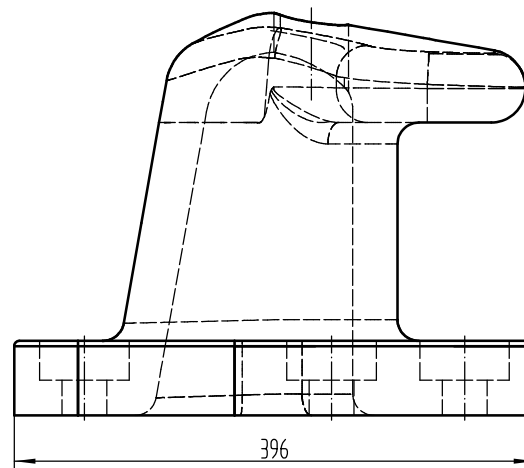
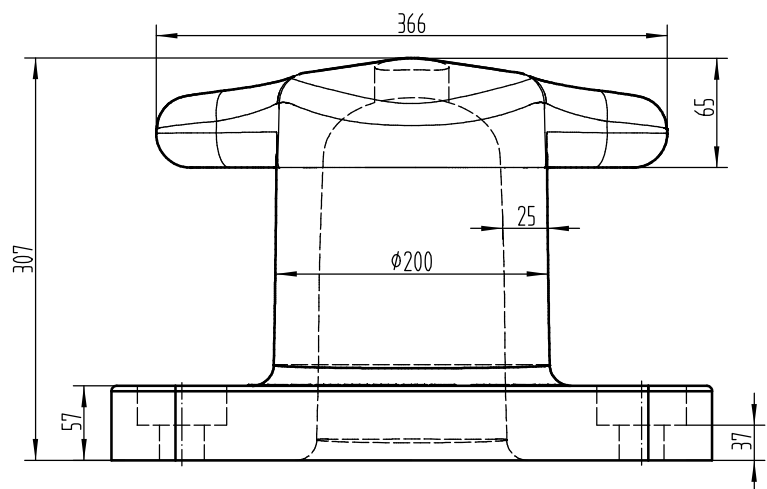
2,Sandblasting SA2.5.

3,Total DFT 320 microns including two layers of primer coating.





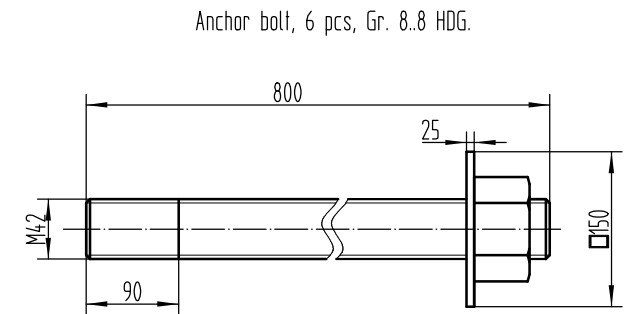
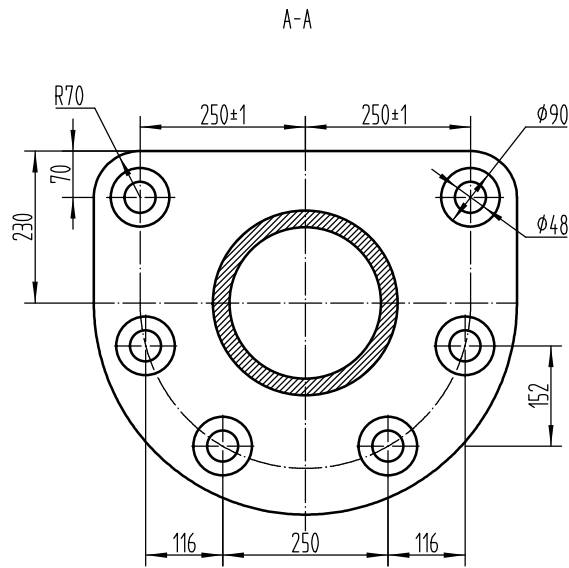
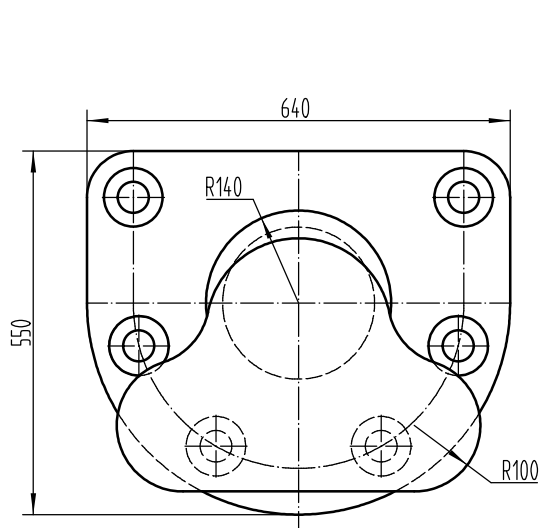
Shanghai Zhiyou Marine & Offshore Equipment Co., Ltd  
 Room 405,Fudan Software Park,188 Changyi Road, Shanghai China.  
 Tel: +86-21-5645-2367  
 Email: sales@zhiyoumarine.com info@marineoutfittings.com  
 Web: www.zhiyoumarine.com www.marineoutfittings.com

1			Dwg Name	10 Tons Mooring Bollard		
Rev	Description	Date	Scale	1:5 @A3	Dwg No.	ZY-170626-Bel
Note	All dimensions are in millimeters unless otherwise specified.		Sheet	1/1	133 Kg	



Note:  
 1,Material:Cast steel. ZG 230-450 (ISO 230-450).  
 2,Weight:100Kg.

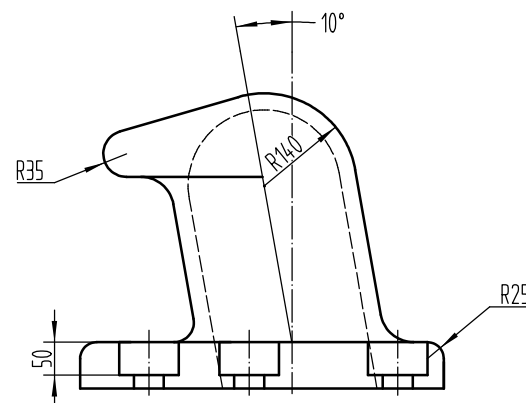
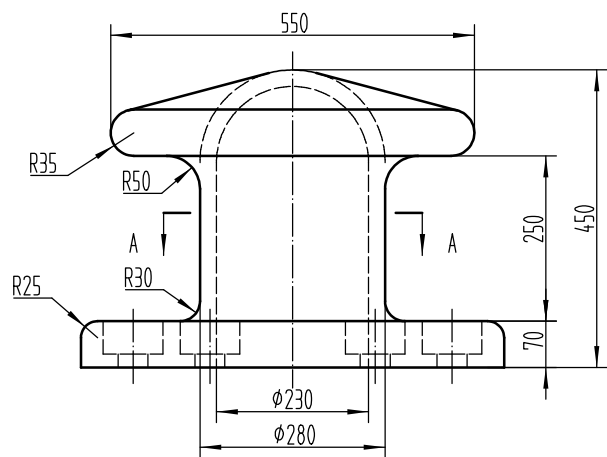
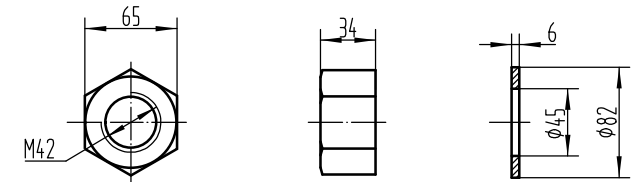
1		
Rev	Description	Date
Note	All dimensions are in millimeters unless otherwise specified.	
 Shanghai Zhiyou Marine & Offshore Equipment Co., Ltd Room 405,Fudan Software Park,188 Changyi Road, Shanghai China. Tel: +86-21-5645-2367 Email: sales@zhiyoumarine.com info@marineoutfittings.com Web: www.zhiyoumarine.com www.marineoutfittings.com		
Dwg Name	Marine Tee Head Ballard	
	Scale	1:5 @A3
	Sheet	1/1
Dwg No.	ZY-161012-Spa	SWL 30Tons





Anchor bolt, 6 pcs, Gr. 8.8 HDG.

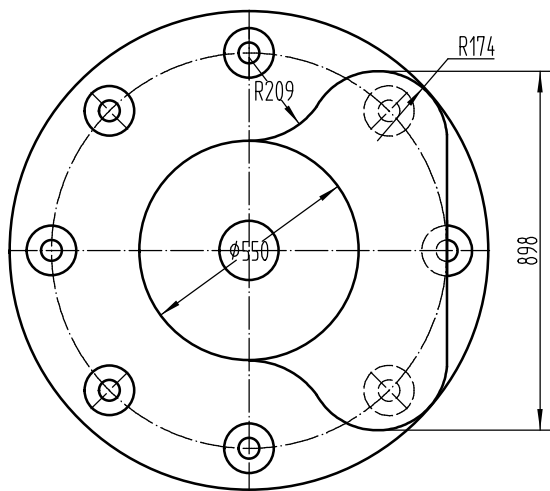
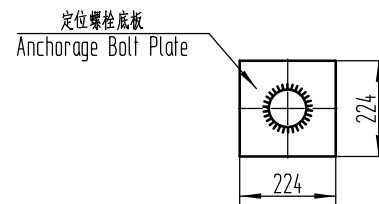
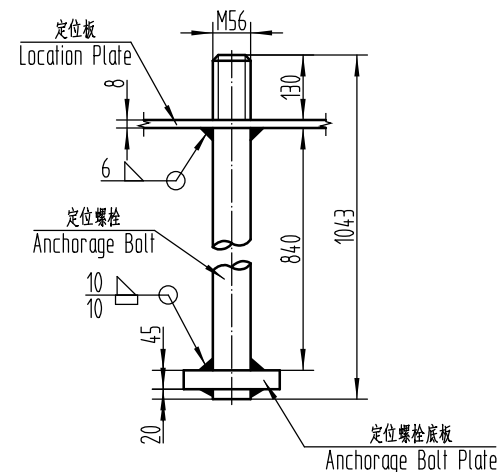
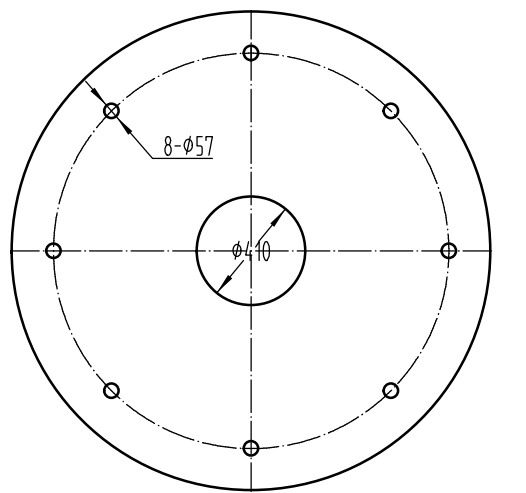
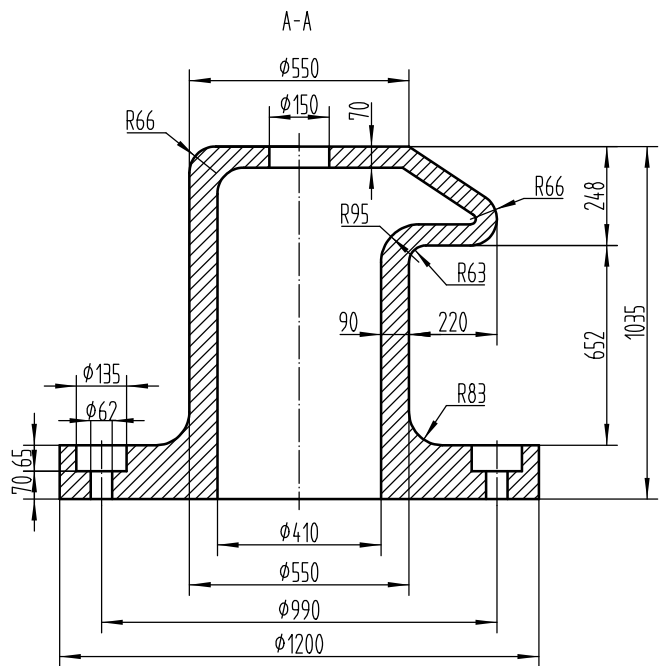
Nut, 12 pcs, Gr. 8.0 HDG.

Washer, 12 pcs, SS400 HDG.



1		
Rev	Description	Date
Note	All dimensions are in millimeters unless otherwise specified.	
 <p>Shanghai Zhiyou Marine &amp; Offshore Equipment Co., Ltd                  Room 405, Fudan Software Park, 188 Changyi Road, Shanghai China.                  Tel: +86-21-5645-2367                  Email: sales@zhiyoumarine.com info@marineoutfittings.com                  Web: www.zhiyoumarine.com www.marineoutfittings.com</p>		
Dwg Name	80 Ton T-Head Bollard	
	Scale	1:12.5 @A3
	Sheet	1/1
Dwg No.	ZY-170523-Spa	

定位板 Location Plate



说明:

- 1、系船柱顶浇注1000KN字样。
- 2、螺栓孔在螺母拧紧后，需用沥青砂填塞，以防腐蚀。
- 3、系船柱安装完后，壳内浇注混凝土。

NOTE:

- 1, Pouring mark of 1000KN on top of the bollards.
- 2, To avoid corrosion, filling asphaltic sand after fasten nuts.
- 3, Depositing concrete after installed bollards.

		Shanghai Zhiyou Marine & Offshore Equipment Co., Ltd Room 405, Fudan Software Park, 188 Changyi Road, Shanghai China. Tel: +86-21-5645-2367 Email: sales@zhiyoumarine.com info@marineoutfittings.com Web: www.zhiyoumarine.com www.marineoutfittings.com				
		Dwg Name	Marine Tee Head Bollard			
1		Date	Scale	1:20 @A3	Dwg No.	ZY-170810-Hon
Rev	Description		Sheet	1/1	SWL 100 Tons	
Note	All dimensions are in millimeters unless otherwise specified.					